

the environment when handled properly. However, operation of the device may lead to the generation of waste containing substances that are environmentally hazardous or harmful to health. These materials must be disposed of properly in accordance with the regulations.

The individual components of the device (e.g. metal components, etc.) must be taken to a qualified disposal and recycling company. Commission a qualified, specialist company to dispose of and recycle the device.

See also

 Contact to HEYLO GmbH [▶ 22](#)

21 Technical details

Model	PV 3000
Dimensions H x W x D [mm]	530 x 520 x 400
Weight [kg]	17.5
max. air output of fan [m ³ /h] (measurement in accordance with DIN 5801)	3102
NLV* [m ³ /h] air output at 250 PA pressure loss	1460
Pressure (Pa) max.	501
Protection class	IP 44
Supply voltage	230 V / 50 / 60 Hz
Current consumption [A]	2.89
Connected load [kW]	0.65
Sound emission [dB(A)] (3 m)	78
Max. fluid temperature in °C	60
Hose [Ø in mm]	305
Max. hose length [m]	5 x 7.6

22 Supplementary documents

22.1 List of wear and spare parts

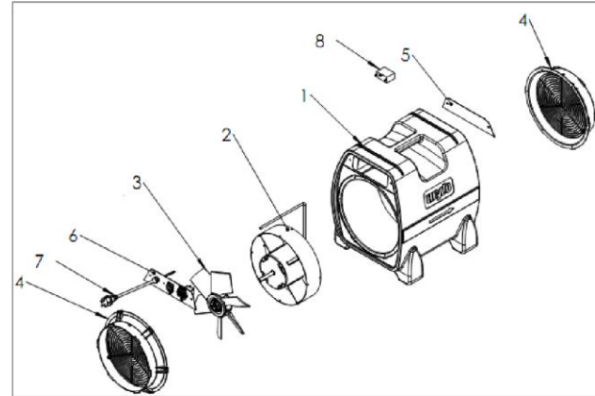


Fig. 4: **PV 3000** spare parts

No.	HEYLO Art. No.	Designation
1	1230628	Plastic housing
2	1230618	Motor
3	1230619	Fan wheel
4	1230613	Hose connections
6	1230622	Complete control element
7	1230624	Power cable
8	1230625	Capacitor
9	1230611	Protective grille

22.2 Accessories list

HEYLO Art. No.	Description
1250067	Air hose Ø 305 mm, length 7.6 m
1250096	Fastening clip for air hose 305 mm
1670006	Fastening belt for air hose
1250203	Sleeve for warm air hose
1250060	Dust bag (dust class M)